



Vertical and horizontal freezers BELUGA



Product categories



Technical features

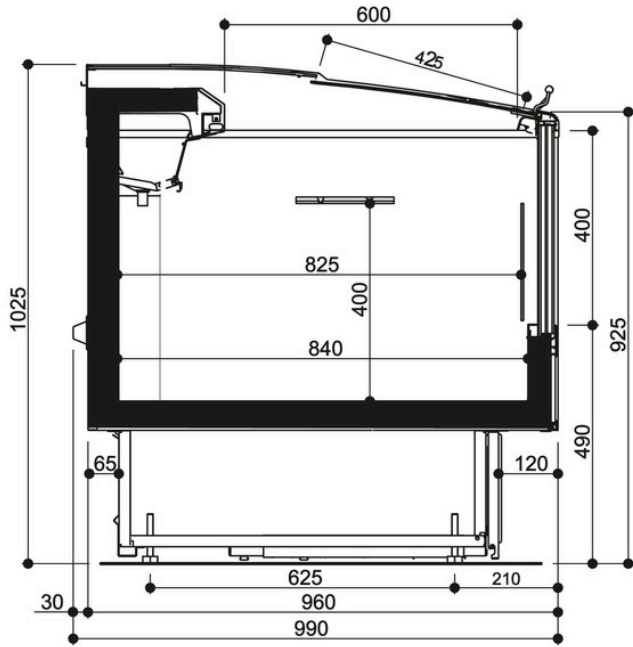




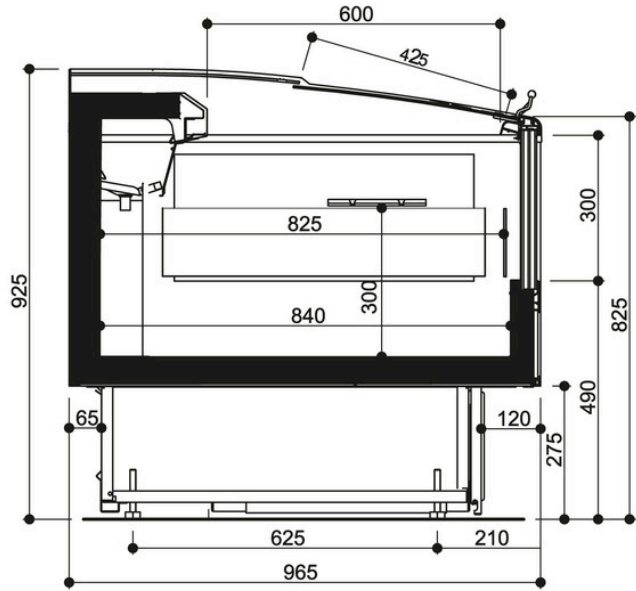
BELUGA			
BELUGA	Linear Cabinets		Head Cabinets
	1400	2100	2130
	•	•	•
Display area m2	0.89	1.34	1.36
Loading area m2	1.39	2.08	2.11
Net storage capacity dm3	425.00	660.00	495.00
Length mm	1401x1023x992		2101x1023x992
Height mm			2131x1023x992
Depth mm			



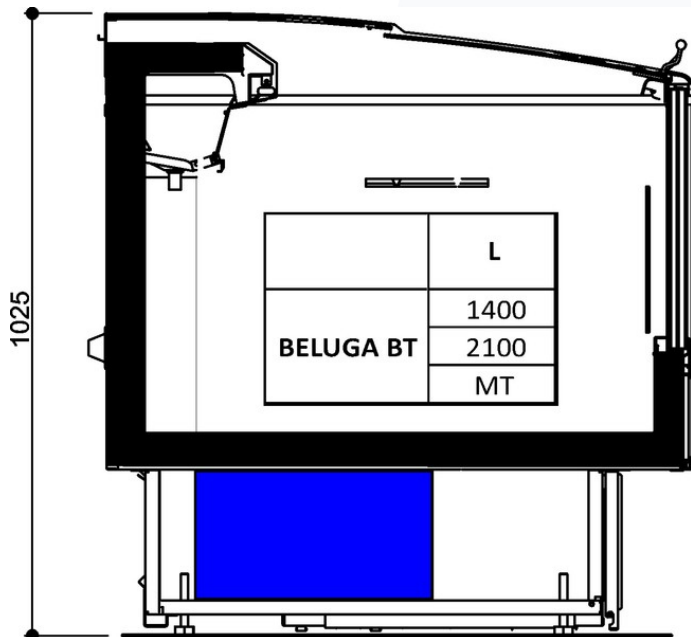
BELUGA - LINEAR_CASE



BELUGA - HEAD_CASE



EPTABLUE OPTION





Legend

 Meat	 Chicken	 Fish	 Pre-packed fish
 Delicatessen	 Cheese	 Dairy products	 Gastronomy
 Pastries	 Pre-packed fruit and vegetables	 Fruits and Vegetables	 Sandwiches
 Drinks	 Pizza	 Bread	 Frozen food and ice cream
 Off-cycle defrost	 Electric defrost	 Hot-gas defrosting system	 Manual defrost
 Ventilated	 Static	 Incorporated condensing unit	 Remote condensing unit
 Bagnomaria	 Ceramic glass	 Ice	 VSD Inverter technology
 LED lighting	 Zero C doors	 High efficiency fans	 R290 Propane refrigerant gas (R290)
 R134a R-134a - 400V/3PH/50Hz	 R404A R404A - 400V/3PH/50Hz	 R744 R744 - 400V/PH/50Hz	 Compressor hermetic reciprocating
 Hermetic scroll compressor	 Semi-hermetic reciprocating compressor	 VSD Inverter technology	 External installation
 Machinery room	 Soundproof housing	 On board condenser	 Remote condenser
 DUAL Medium & Low temperature	 Technokleen	 Thin Tech	 EB