



Plug-in cabinets OPERA GREEN



Product categories



Technical features

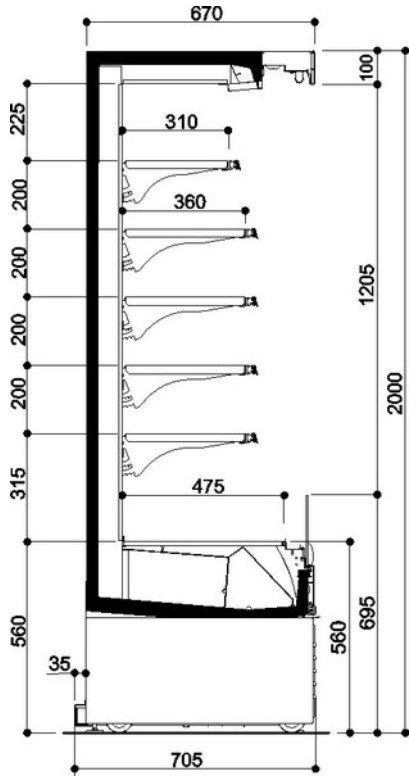




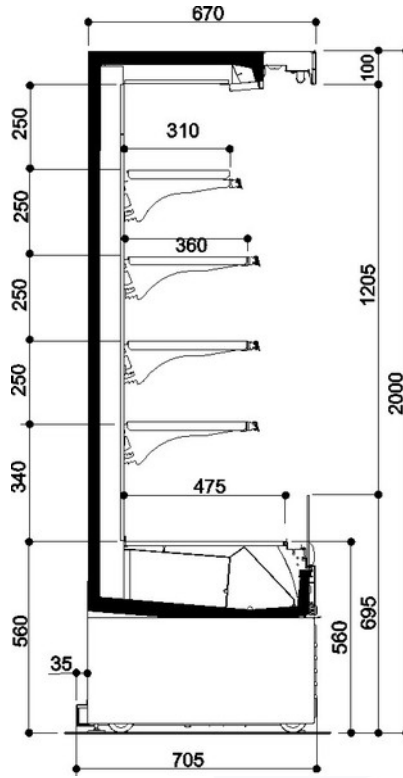
| OPERA GREEN | | | | |
|--------------------------|--------------|--------------|---------------|---------------|
| OPERA GREEN | 700 | 937 | 1250 | 1875 |
| | • | • | • | • |
| Display area m2 | 1.03 | 1.38 | 1.85 | 2.77 |
| Loading area m2 | 0.49 | 0.66 | 0.88 | 1.32 |
| End thickness mm | 30.00 | | | |
| Net storage capacity dm3 | 344.00 | 461.00 | 615.00 | 922.00 |
| Length mm | 700x2000x705 | 997x2000x705 | 1310x2000x705 | 1935x2000x705 |
| Height mm | | | | |
| Depth mm | | | | |



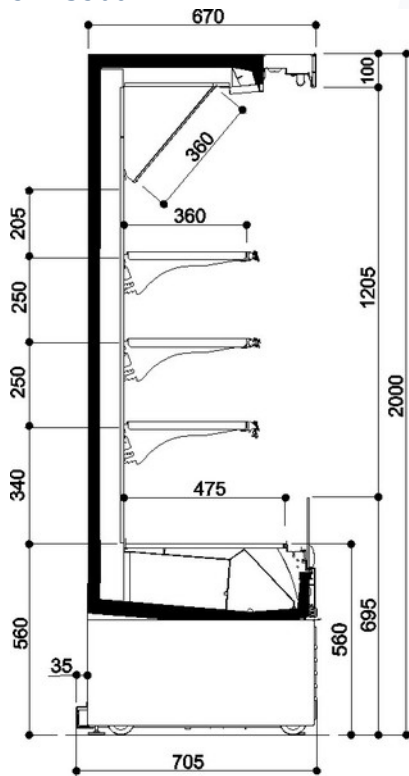
5P



4P



3P+S360





Legend

| | | | |
|--|--|--|---|
|  Meat |  Chicken |  Fish |  Pre-packed fish |
|  Delicatessen |  Cheese |  Dairy products |  Gastronomy |
|  Pastries |  Pre-packed fruit and vegetables |  Fruits and Vegetables |  Sandwiches |
|  Drinks |  Pizza |  Bread |  Frozen food and ice cream |
|  Off-cycle defrost |  Electric defrost |  Hot-gas defrosting system |  Manual defrost |
|  Ventilated |  Static |  Incorporated condensing unit |  Remote condensing unit |
|  Bagnomaria |  Ceramic glass |  Ice |  VSD Inverter technology |
|  LED lighting |  Zero C doors |  High efficiency fans |  R290 Propane refrigerant gas (R290) |
|  R134a R-134a - 400V/3PH/50Hz |  R404A R404A - 400V/3PH/50Hz |  R744 R744 - 400V/PH/50Hz |  Compressor hermetic reciprocating |
|  Hermetic scroll compressor |  Semi-hermetic reciprocating compressor |  VSD Inverter technology |  External installation |
|  Machinery room |  Soundproof housing |  On board condenser |  Remote condenser |
|  DUAL Medium & Low temperature |  Technokleen |  Thin Tech |  EB |