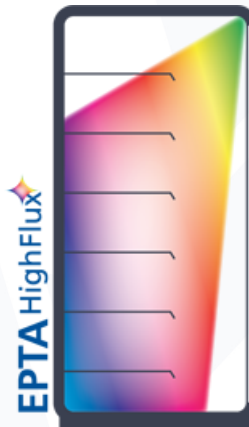




Chilled vertical cabinets GRANVISTA NEXT



Product categories





Technical features

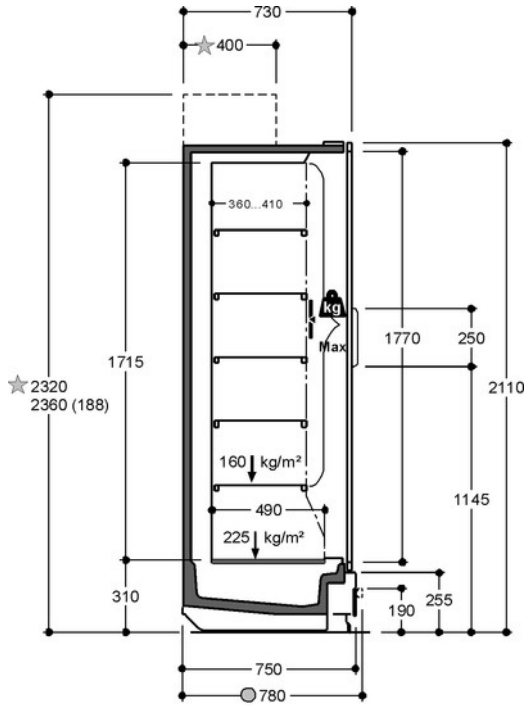




GRANVISTA NEXT																					
Length mm		1250		1875		2500		3750		MT1510 (open)		MT1330 (open or closed)		MT1810 (open)		MT1960 (open or closed)		MT1960 (open or closed)		MT2320 (open)	
Height mm		20	22	20	22	20	22	20	22	20	22	20	22	20	22	20	22	20	22	20	22
GRANVISTA NEXT	Compact	•	•	•	•	•	•	•	•	•	•										
	Narrow	•	•	•	•	•	•	•	•			•	•	•	•	•			•	•	•
	Large	•	•	•	•	•	•	•	•					•	•	•	•			•	•
Display area m2	Compact	2.11	2.28	3.16	3.42	4.21	4.56	6.32	6.84	2.26	2.48										
	Narrow	2.22	2.40	3.33	3.59	4.44	4.79	6.67	7.19			3.38	3.63	2.84	3.17	4.49		4.82	3.67	4.10	
	Large	2.29	2.45	3.42	3.68	4.56	4.91	6.84	7.34					2.92	3.25	4.91	5.29		3.77	4.21	
Loading area m2	Compact	0.90		1.35		1.85		2.75		1.21											
	Narrow	1.10		1.65		2.20		3.30				1.23		1.58		1.77		1.77		2.04	
	Large	1.30		1.95		2.60		3.90						1.58		2.08				2.04	
End thickness mm		End thickness mm : 30.00 (+ 35 Bumper rail)																			

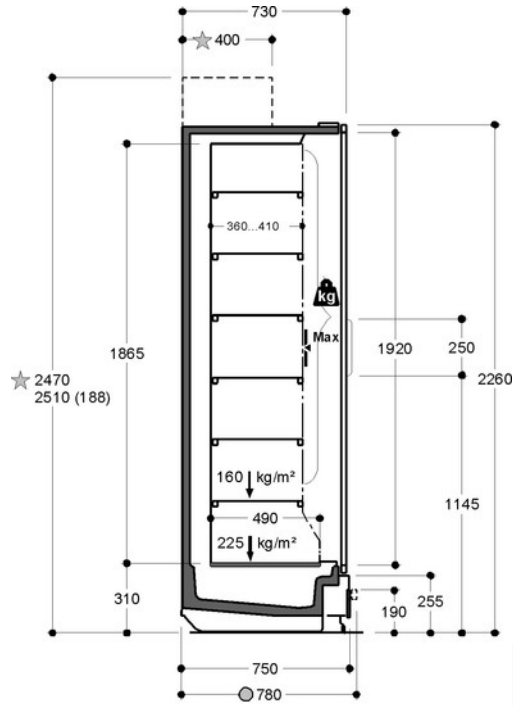


20 C CLOSED



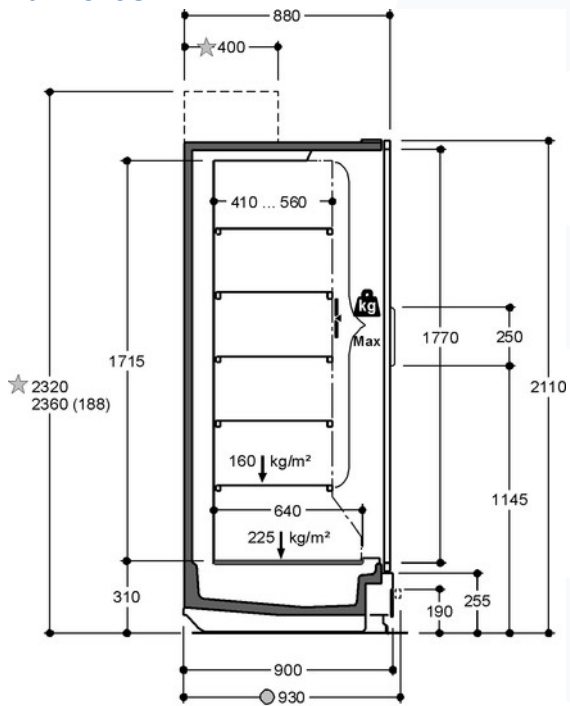
- Option
- ★ EptaBlue

22 C CLOSED



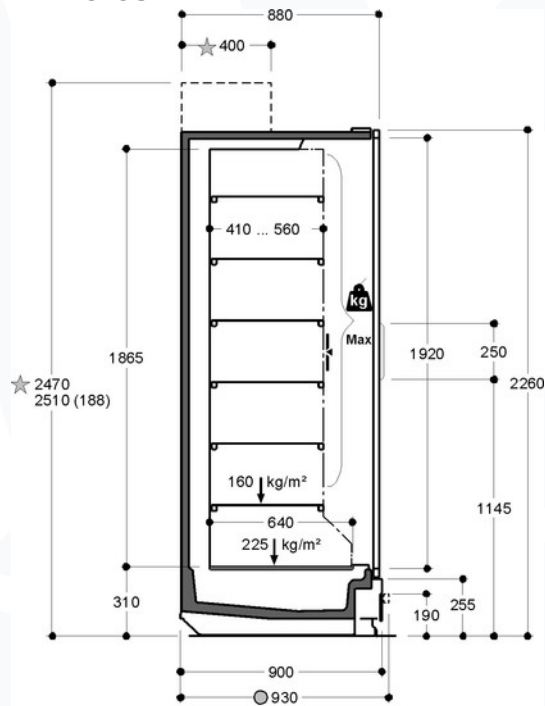
- Option
- ★ EptaBlue

20 N CLOSED



- Option
- ★ EptaBlue

22 N CLOSED



- Option
- ★ EptaBlue



Legend

 Meat	 Chicken	 Fish	 Pre-packed fish
 Delicatessen	 Cheese	 Dairy products	 Gastronomy
 Pastries	 Pre-packed fruit and vegetables	 Fruits and Vegetables	 Sandwiches
 Drinks	 Pizza	 Bread	 Frozen food and ice cream
 Off-cycle defrost	 Electric defrost	 Hot-gas defrosting system	 Manual defrost
 Ventilated	 Static	 Incorporated condensing unit	 Remote condensing unit
 Bagnomaria	 Ceramic glass	 Ice	 VSD Inverter technology
 LED lighting	 Zero C doors	 High efficiency fans	 R290 Propane refrigerant gas (R290)
 R134a R-134a - 400V/3PH/50Hz	 R404A R404A - 400V/3PH/50Hz	 R744 R744 - 400V/PH/50Hz	 Compressor hermetic reciprocating
 Hermetic scroll compressor	 Semi-hermetic reciprocating compressor	 VSD Inverter technology	 External installation
 Machinery room	 Soundproof housing	 On board condenser	 Remote condenser
 DUAL Medium & Low temperature	 Technokleen	 Thin Tech	 EB